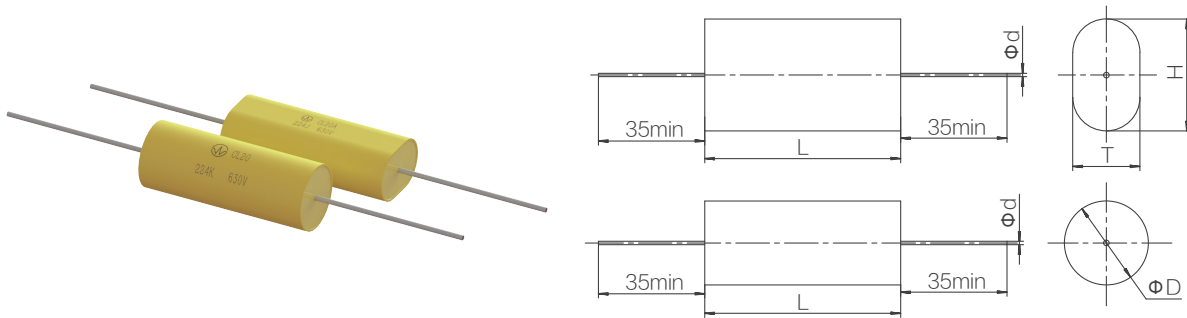


CL20(A) 轴向金属化聚酯膜电容器

Axial-type metallized polyester film capacitor

外形图 Outline Drawing



单位 Unit: mm

特点 Features

- 金属化聚酯膜，良好的自愈性
- 轴向引出，体积小，重量轻
- 聚酯胶带包裹，阻燃环氧树脂灌封（UL94V-0）
- Metallized polyester film, excellent self-healing property
- Axial leaded, small size, light weight
- Wrapped with polyester tape and filled with flame-retardant epoxy resin (UL94 V-0)

主要用途 Typical Applications

- 适用于各种隔直、旁路、耦合、去耦电路
- Suitable for blocking, by-pass, coupling and decoupling circuit

技术要求 Specifications

引用标准 Reference Standard	GB/T 7332 (IEC 60384-2)
气候类别 Climatic Category	55/105/21
额定温度 Rated Temperature	85℃
工作温度范围 Operating Temperature Range	-55~105℃
额定电压 U_R Rated Voltage	100/250/400/630/1000V、63/160/200/220/250/Vac
电容量范围 Capacitance Range	0.001 μ F~10.0 μ F
容量偏差 Capacitance Tolerance	$\pm 5\%$ (J) $\pm 10\%$ (K) $\pm 20\%$ (M)
耐电压 Voltage Proof	1.6 U_R (5s)
绝缘电阻 R_{ins} Insulation Resistance (R_{ins})	$C_N \leq 0.33 \mu F: \geq 7500 M\Omega$ $C_N > 0.33 \mu F: \geq 2500 s$ (20℃, 100Vdc, 1min)
损耗角正切 $\tan \delta$ Dissipation Factor	≤ 0.01 (1kHz, 20℃)

■ 外形尺寸 Dimensions (mm)

100Vdc (63Vac)					
C _N (μF)	Cylinder	Flat		L ± 1.0 (mm)	d ± 0.05 (mm)
	D ± 1.0 (mm)	H ± 1.0 (mm)	T ± 1.0 (mm)		
0.33	6.0			15.0	0.6
0.47	6.5			15.0	0.6
0.68	7.0			15.0	0.8
1.0	8.0			20.0	0.8
1.5	8.0			20.0	0.8
2.2	9.0			20.0	0.8
3.3	9.5			27.0	0.8
4.7	10.0			33.0	0.8
6.8	11.5			33.0	0.8
10.0	13.5			33.0	1.0

250Vdc (160Vac)					
C _N (μF)	Cylinder	Flat		L ± 1.0 (mm)	d ± 0.05 (mm)
	D ± 1.0 (mm)	H ± 1.0 (mm)	T ± 1.0 (mm)		
0.1	5.5			15.0	0.6
0.15	5.5			15.0	0.6
0.22	6.0			15.0	0.6
0.33	6.5			20.0	0.6
0.47	7.0			20.0	0.8
0.68	8.0			20.0	0.8
1.0	9.0			20.0	0.8
1.5	9.0			27.0	0.8
2.2	11.0			33.0	0.8
3.3	13.0			33.0	0.8
4.7	15.5			33.0	0.8
6.8	18.5			33.0	1.0
10.0	22.0			33.0	1.0

400Vdc (200Vac)					
C _N (μF)	Cylinder	Flat		L ± 1.0 (mm)	d ± 0.05 (mm)
	D ± 1.0 (mm)	H ± 1.0 (mm)	T ± 1.0 (mm)		
0.047	6.5			15.0	0.6
0.068	6.5			15.0	0.6
0.1	7.5			15.0	0.8
0.15	7.0			20.0	0.8
0.22	7.5			20.0	0.8
0.33	9.0			20.0	0.8
0.47	8.5			27.0	0.8
0.68	10.0			27.0	0.8
1.0	10.5			33.0	0.8
1.5	12.5			33.0	0.8
2.2	14.5			33.0	0.8
3.3	17.5			33.0	1.0

630Vdc (220Vac)					
C _N (μF)	Cylinder	Flat		L ± 1.0 (mm)	d ± 0.05 (mm)
	D ± 1.0 (mm)	H ± 1.0 (mm)	T ± 1.0 (mm)		
0.01	6.0			15.0	0.6
0.015	6.5			15.0	0.6
0.022	7.5			15.0	0.8
0.033	7.0			20.0	0.8
0.047	7.5			20.0	0.8
0.068	8.5			20.0	0.8
0.1	8.0			27.0	0.8
0.15	9.0			27.0	0.8
0.22	10.5			27.0	0.8
0.33	11.0			33.0	0.8
0.47	12.5			33.0	0.8
0.68	14.5			33.0	0.8
1.0	17.5			33.0	1.0

1000Vdc (250Vac)					
C _N (μF)	Cylinder	Flat		L ± 1.0 (mm)	d ± 0.05 (mm)
	D ± 1.0 (mm)	H ± 1.0 (mm)	T ± 1.0 (mm)		
0.0047	5.2			15.0	0.6
0.0068	5.2			15.0	0.6
0.01	6.0			20.0	0.6
0.015	6.5			20.0	0.6
0.022	7.0			20.0	0.8
0.033	6.5			27.0	0.8
0.047	7.0			27.0	0.8
0.068	8.0			27.0	0.8
0.1	9.0			27.0	0.8
0.15	9.5			33.0	0.8
0.22	11.0			33.0	0.8
0.33	13.0			33.0	0.8
0.47	15.0			33.0	0.8

注：1、Cylinder是指圆柱形，Flat是指压扁形，其中压扁形的高度H和厚度T可以按需调整。

2、上表中未包含的产品规格可根据用户要求进行设计和制造。

Note:

1. Cylinder refers to cylindrical shape, Flat refers to flattened shape, the height H and thickness T of flattened shape can be adjusted as required.

2. Product specifications not included in the above table can be designed and manufactured according to user requirements.